

KLT-M4K-OV7676 V1.0 NIR

**OmniVision OV7676 DVP Parallel Interface Fixed Focus 0.3MP VGA Camera Module
No IR Filter Lens**

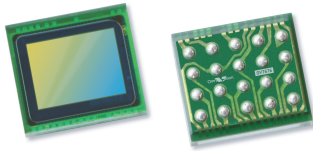


Camera Module No.	KLT-M4K-OV7676 V1.0 NIR
Image Sensor	OV7676
EFL	2.1 mm
F.NO	2.8
Pixel	640 x 480 (VGA)
View Angle	59.2°
Lens Type	1/7.5 inch, No IR Filter Lens
Lens Dimensions	6.00 x 6.00 x 3.45 mm
Module Size	20.10 x 12.50 mm
Module Type	Fixed Focus
Interface	DVP Parallel
IMT Lens Model	IMT-5A5X002-N

Mating Connector Part No. FH12-24S-0.5SH



Mating Connector On Board. Sold Separately.



OV7676 VGA product brief



Cost-Effective VGA Sensor Delivers Best-In-Class Pixel Performance to Wide Range of Consumer Applications



available in a lead-free package

OmniVision's high performance OV7676 is a cost-effective 1/7.5-inch system-on-a-chip (SOC) VGA sensor that brings best-in-class pixel performance to a wide range of applications, including mobile phones, tablets, wearables, notebooks, and IP network cameras.

Utilizing OmniVision's 3-micron OmniPixel3-HS™ technology, the OV7676 achieves best-in-class low-light sensitivity, signal-to-noise ratio, full-well capacity (FWC), quantum efficiency and low-power consumption. The OV7676 supports serial peripheral interface (SPI) and digital video port (DVP) interface customization for both smartphone and feature phone platforms.

When used as a front-facing camera solution in smartphones, tablets and notebooks, the OV7676 also supports video-in-video functionality, allowing users to record and stitch together video being recorded simultaneously by the front- and rear-facing cameras.

The OV7676 fits into a 2.73 x 2.47 mm chip-scale package (CSP).

Find out more at www.ovt.com.



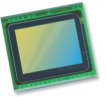
Applications

- Mobile Phones
- PC Multimedia
- Toys
- Digital Still Cameras

Product Features

- support for image sizes: VGA (640x480), QVGA (320x240) and CIF (352x288)
- support for horizontal and vertical sub-sampling
- support for output formats: RAW RGB and YUV output with DVP and SPI port
- automatic image control functions:
 - automatic exposure control (AEC)
 - automatic white balance (AWB)
 - automatic black level calibration (ABLC)
- on-chip phase lock loop (PLL)
- image quality controls:
 - defect pixel correction and lens shading correction
- built-in 1.8V regulator for digital block
- support for black sun cancellation
- capable of maintaining register values at software power down
- standard serial SCCB interface
- programmable controls for frame rate, mirror and flip, AEC/AGC, and windowing
- parallel I/O tri-state configurability and programmable polarity

OV7676



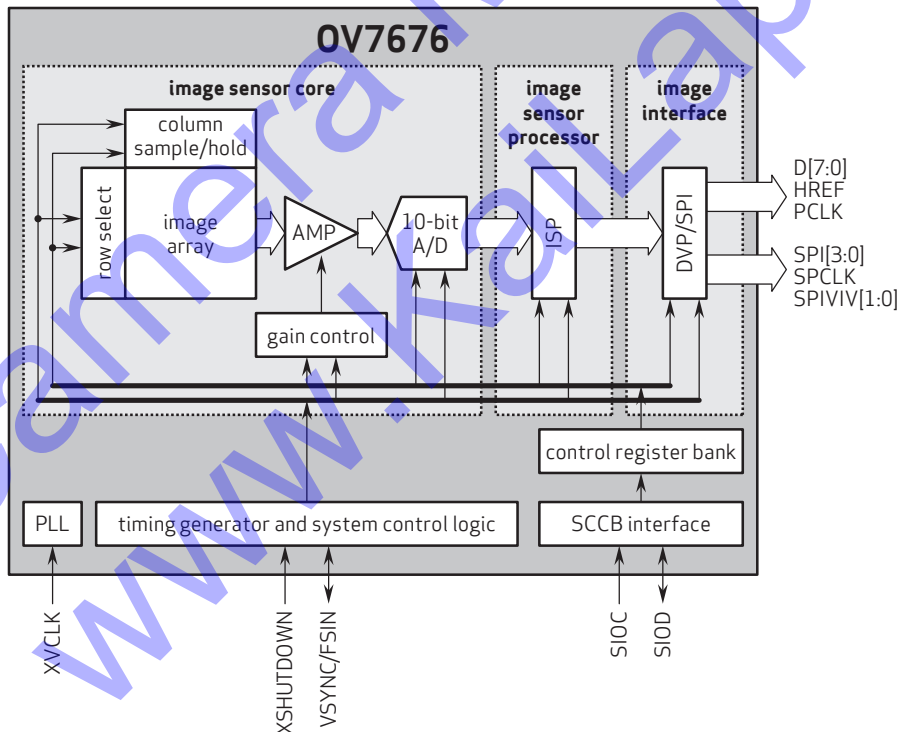
Ordering Information

- OV7676-H20A (color, lead-free, 20-pin CSP5)

Product Specifications

- active array size: 640 x 480
- maximum image transfer rate:
 - VGA: 30 fps
 - QVGA: 60 fps
 - CIF: 30 fps
- power supply:
 - analog: 2.8V ±5%
 - core: 1.8VDC ±5% (internal regulator)
 - I/O: 2.8V, 1.8V
- power requirements:
 - I_{DD-A}: 15 mA
 - I_{DD-IO}: 1.7 mA
 - XSHUTDOWN: <15 μA
- temperature range:
 - operating: -30°C to +70°C junction temperature
 - stable image: 0°C to +50°C junction temperature
- output formats: YUV422, RAW RGB
- shutter: rolling shutter
- max S/N ratio: 38 dB
- dynamic range: 70.4 dB @ 8x gain
- lens size: 1/7.5"
- lens chief ray angle: 26.6°
- input clock frequency: 6 - 27 MHz
- scan mode: progressive
- sensitivity: 1900 mV/lux-sec
- max exposure interval: 506 x t_{ROW}
- pixel size: 3 μm x 3 μm
- dark current: 6 mV/sec @ 60°C junction temperature
- image area: 1962 μm x 1482 μm
- package dimensions:
 - CSP5: 2734 μm x 2474 μm

Functional Block Diagram



4275 Burton Drive
Santa Clara, CA 95054
USA

Tel: +1 408 567 3000
Fax: +1 408 567 3001
www.ovt.com

OmniVision reserves the right to make changes to their products or to discontinue any product or service without further notice. OmniVision, the OmniVision logo and OmniPixel are registered trademarks of OmniVision Technologies, Inc. OmniPixel3-H5 is a trademark of OmniVision Technologies, Inc. All other trademarks are the property of their respective owners.



OmniVision